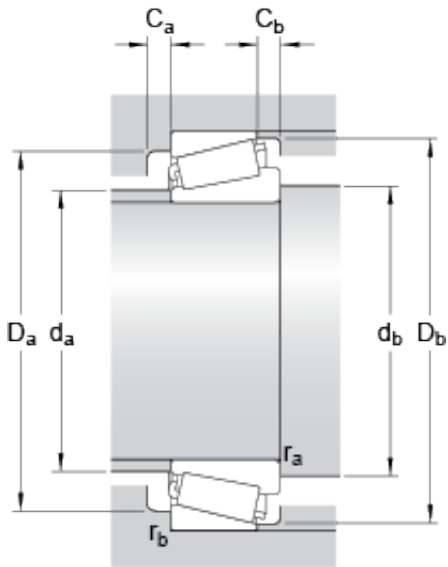




China 6205 Bearing Supplier



1988/1922 Bearing 2D drawings and 3D CAD models

SKF NTN Nsktapered Roller Bearings
 1988/1922 52400/52618 804358 14585/14525
 15578/15520

Bearing No. 1988/1922

Dimension series	1900
d	28.575 mm
D	57.15 mm
T	19.845 mm
d ₁	42 mm
B	19.355 mm
C	15.875 mm
r _{1,2} min.	3.5 mm
r _{3,4} min.	1.5 mm
a	13.702 mm
d _a max.	35 mm
d _b min.	40.5 mm
D _a min.	49 mm
D _a max.	50 mm
D _b min.	54 mm
C _a min.	3 mm
C _b min.	3.5 mm
r _a max.	3.5 mm
r _b max.	1.5 mm
Basic dynamic load rating C	58.2 kN
Basic static load rating C ₀	55 kN
Fatigue load limit P _u	6 kN
Reference speed	10000 r/min
Limiting speed	12000 r/min
Calculation factor e	0.33



China 6205 Bearing Supplier

Calculation factor Y	1.8
Calculation factor Y_0	1
Mass bearing	0.22 kg